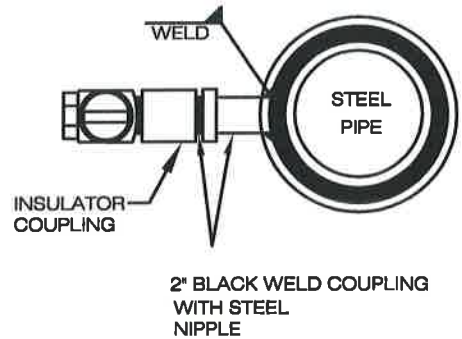


NOTE 1: FITTINGS SHALL BE SWEAT BY THREADED FOR 2" COPPER

- ① SIZE X 2" SERVICE SADDLE
- ② 2" BRONZE CORPORATION STOP (MIP X FIP)
- ③ TYPE K COPPER OR BRASS NIPPLE (ONE CONTINUOUS PIECE)
- ④ 360 DEGREE TEE ROTATION ANGLE BALL VALVE (2")
- ⑤ 2" (SCHEDULE 40) PVC FEMALE 90
- ⑥ REDWOOD OR CONCRETE BLOCK AT TOP OF PIPE ZONE
- ⑦ ⑧ VALVE WELL AND LID, 10" PVC STAND WITH 10" LID PER STD DWG 5-3
- ⑨ 2" BRASS ST 90



①
— — — — —
LEGEND ON PLANS

REVISIONS	APPROVED	DATE	VISTA IRRIGATION DISTRICT	
UPDATED	B. SMITH	03/25/11	2" BLOW OFF ASSEMBLY	RANDY WHITMANN DATE R.C.E. 60370
UPDATED	B. SMITH	04/02/13		
UPDATED	B. SMITH	06/06/14		
updated	B. Smith	3/16/16		
			STD. DWG. 3-1	5/8/18