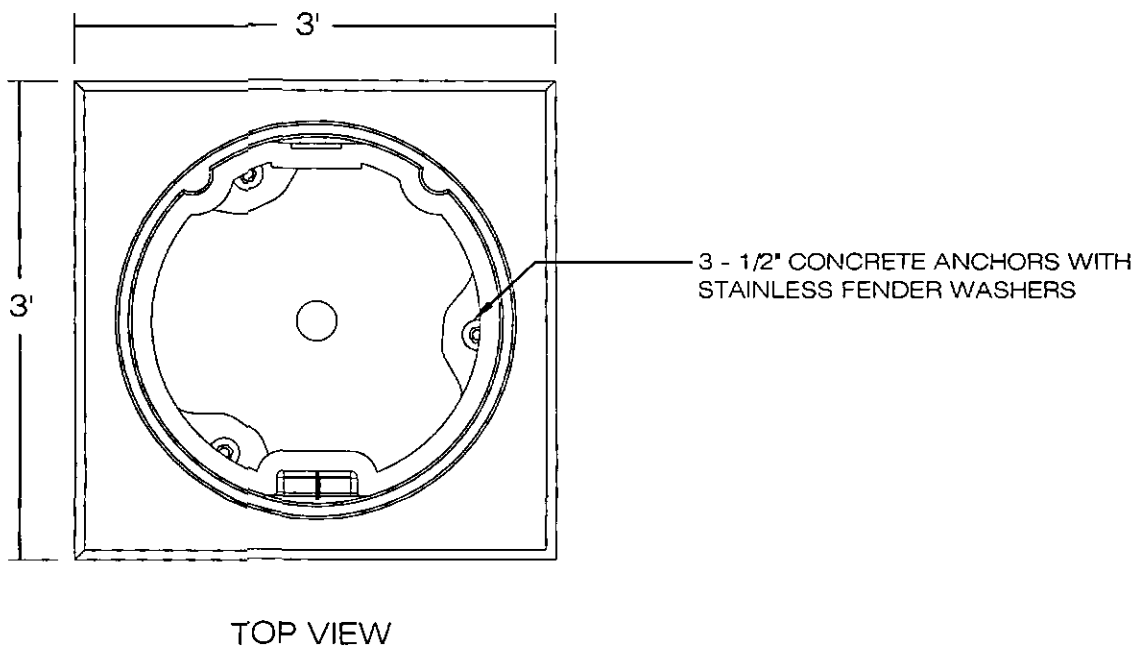


VALVE SIZE	DIA	H
1" & 2"	18"	30"
4" & 6"	24"	36"



NOTE 1 FOR VALVE ENCLOSURE LOCATIONS, SEE DWG 2-6

REVISIONS	APPROVED	DATE	VISTA IRRIGATION DISTRICT	
	J AMADEO	12/02/99	AIR AND VACUUM VALVE ENCLOSURES	<i>Brian Smith</i> 4/12/12
				BRIAN SMITH DATE
				RCE 39926
				STD. DWG. 2-5