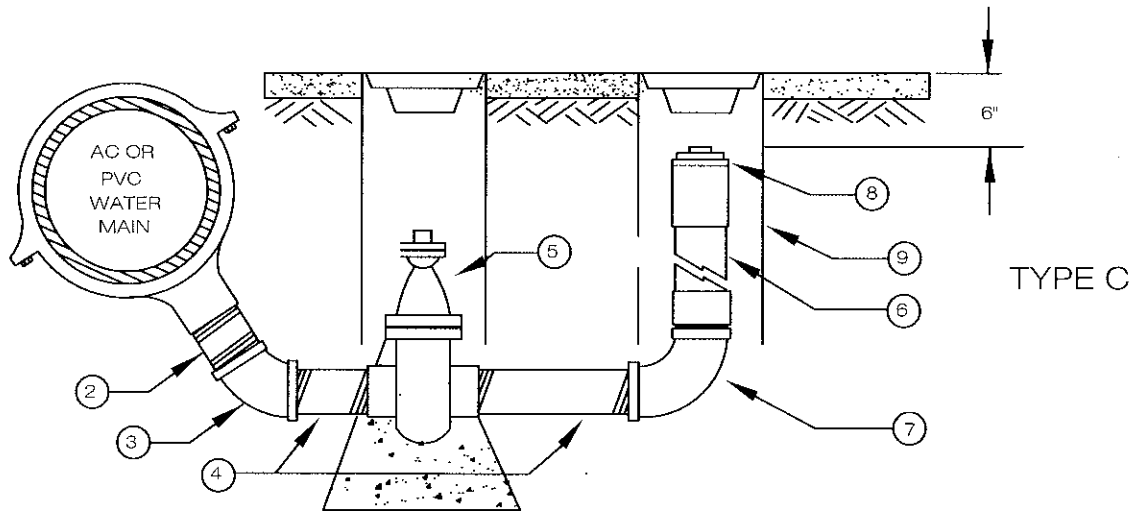


USE 2" BRASS CLOSE NIPPLE
2" INSULATED COUPLING
FOR STEEL MAIN PIPE



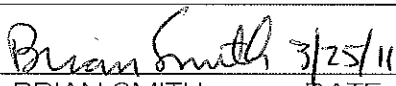
- ① DOUBLE STRAP BRONZE SERVICE SADDLE ON A.C. PIPE
BRONZE OR BRASS SADDLE WITH STAINLESS STEEL FOUR BOLT STRAPS FOR PVC
- ② 2" BRASS NIPPLE [2" x 3"
- ③ 2" BRASS 45°
- ④ 2"x 6" BRASS NIPPLE & 2"x 12" BRASS NIPPLE
- ⑤ 2" NON RISING STEM, FIP x FIP,
CAST IRON EPOXY COATED GATE VALVE, CL200
W/ 2" Op NUT
- ⑥ 2" SCHEDULE 80 PIPE
- ⑦ 2" BRASS 90° ELL
- ⑧ 2" THREADED FEMALE ADAPTER &
2" THREADED CAP / SCHEDULE 80
- ⑨ VALVE WELL INSTALLATION, SEE STD. DWG. 5-3
- ⑩ FLAPPER VALVE
- ⑪ 2" COPPER PIPE

NOTE:

1 FOR STEEL PIPE WELD 2" BLACK COUPLING

8

LEGEND ON PLANS

REVISIONS	APPROVED	DATE	VISTA IRRIGATION DISTRICT	
UPDATED	B. SMITH	03/25/11	2" BLOW OFF ASSEMBLIES TYPES B & C	
			 BRIAN SMITH DATE R.C.E. 39926	
			STD. DWG. 3-2	