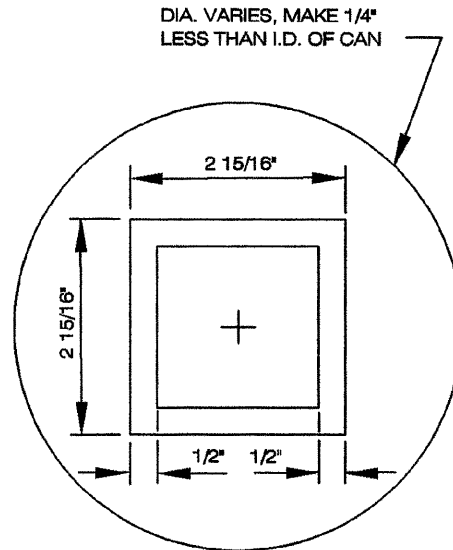
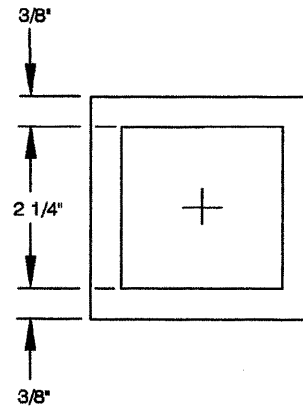


ELEVATION VIEW



TOP VIEW



BOTTOM VIEW

NOTES

1 EXTENSION TO BE USED WHEN TOP OF VALVE NUT IS 5' OR MORE BELOW FINISH GRADE.

2 PAINT ALL FINISHED SURFACES WITH ASPHALT VARNISH

REVISIONS	APPROVED	DATE	VISTA IRRIGATION DISTRICT	PATH: (TOM) H:\STDDWGS\5-4.DWG
			VALVE STEM EXTENSION	<i>John A. Amodeo</i> 12/2/95
				JOHN AMODEO DATE
				R. C. E. 31161
ACAD		6/96		STANDARD DRAWING 5-4