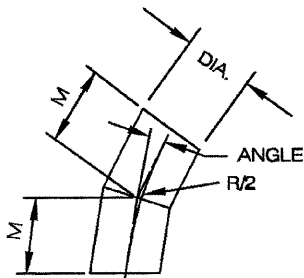
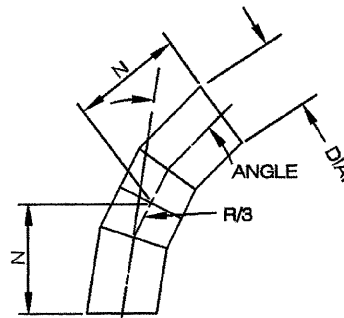


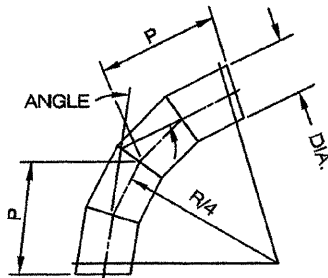
NOM. DIA.	ELBOWS						
	2 PIECE 0-22.5 DEG.		3 PIECE 22.5-45 DEG.		4 PIECE 45-67.5 DEG.		5 PIECE 6.75-90 DEG.
	M	R/2	N	R/3	P	R/4	Q OR R/5
4	9	45	12	30	15	23	19
6	9	45	13	32	16	24	21
8	10	50	14	35	18	27	24
10	10	50	15	37	20	30	26
12	11	55	16	40	22	33	29
14	11	55	17	42	24	36	31
16	12	60	18	44	26	40	34
18	12	60	19	47	27	41	36
20	13	65	20	49	28	42	39
22	13	65	21	51	30	45	41
24	14	70	22	54	32	48	44
30	15	75	25	61	37	51	51
36	16	80	27	66	40	60	56
42	17	85	28	69	42	63	59
48	17	85	29	71	44	66	61
54	18	90	30	74	46	69	63
60	18	90	31	76	48	72	65



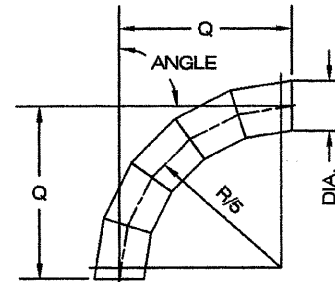
2 PIECE
ELBOW
0-22.5 deg.



3 PIECE
ELBOW
22.5-45 deg.



4 PIECE
ELBOW
45-67.5 deg.



5 PIECE
ELBOW
67.5-90 deg.

REVISIONS	APPROVED	DATE	VISTA IRRIGATION DISTRICT	PATH: (TOM) H:\STDDWGS6-1.DWG
			STEEL WATER PIPE ELBOW DESIGNS	<i>John A. Amodeo</i> 12/2/99
				JOHN AMODEO R. C. E. 31161
ACAD		6/96		STANDARD DRAWING 6-1