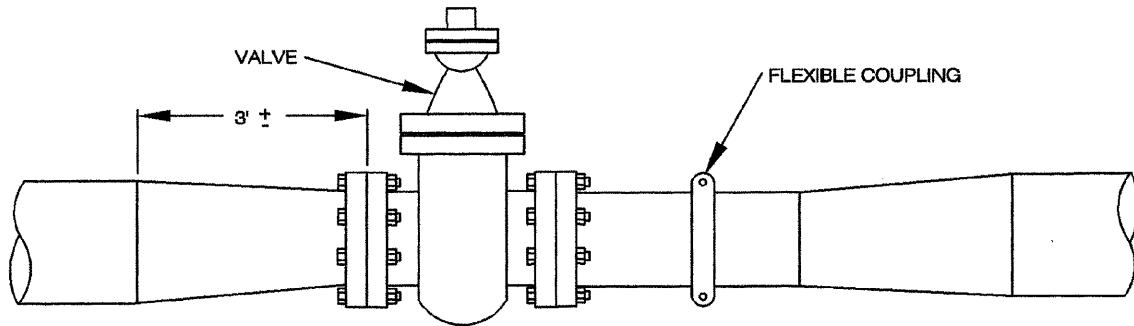


14" & LARGER STEEL MAIN

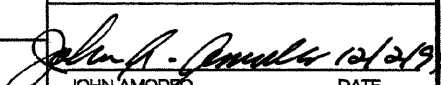


18" & LARGER STEEL MAIN

PIPE DIA.	VALVE SIZE
18"	16"
20"	18"
24"	20"
30"	24"
36"	30"
42"	36"
48"	42"

NOTES:

1. VALVE AND REDUCERS MUST BE PURCHASED TOGETHER,
2. REDUCERS MATERIAL MUST BE THE SAME AS THE PIPELINE MATERIAL

REVISIONS	APPROVED	DATE	VISTA IRRIGATION DISTRICT	PATH: (TOM) H:\STDDWGS\5-9.DWG
			VALVE SIZING FOR STEEL MAINS	 JOHN AMODEO R. C. E. 31161
				DATE
				STANDARD DRAWING 5-9
ACAD		6/96		