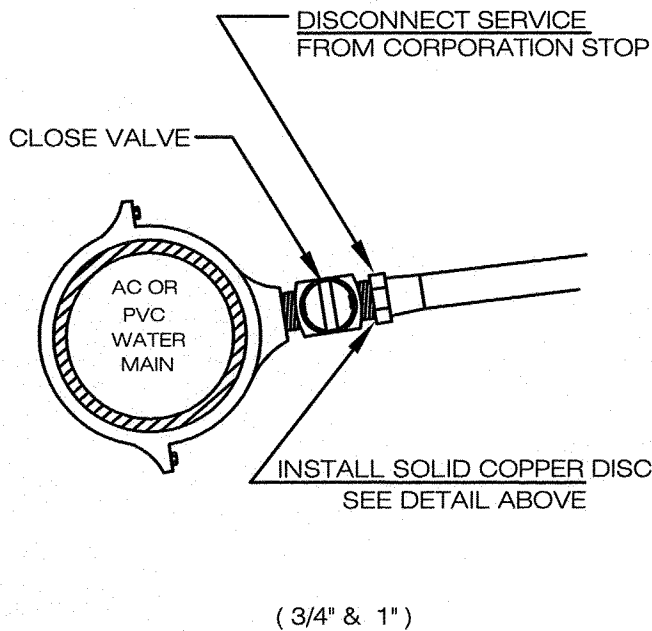
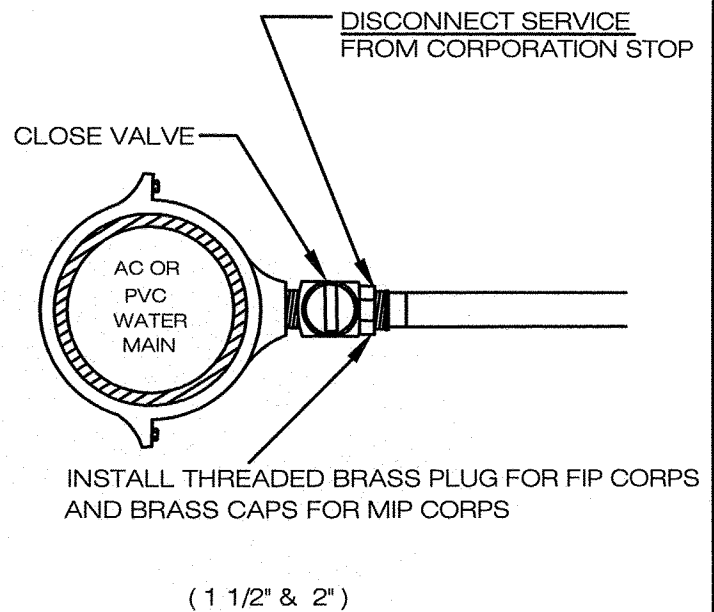


PLUG AND CAP DETAIL



SERVICE CONNECTION



SERVICE CONNECTION

NOTES:

- ① IF WATERLINE IS SHUTDOWN, REMOVE CORP AND INSTALL BRASS PLUG
- ② REMOVE A 2' SECTION FROM THE CORP TO THE ABANDONED PIECE AND CRIMP THE END OF THE ABANDONED COPPER
- ③ IF THE CORP IS A DIRECT TAP, CORP WILL NEED TO BE REMOVED AND AN APPROVED SADDLE AND PLUG WILL NEED TO BE INSTALLED

W/////A

LEGEND ON PLANS

REVISIONS	APPROVED	DATE	VISTA IRRIGATION DISTRICT	
			EXISTING WATER SERVICE ABANDONMENT	Brian Smith 4/2/13
				BRIAN SMITH DATE
				R.C.E. 39926
				STD. DWG. 1-1A